

# JZF碟型低压截止阀

JZF Dish Type Low-pressure Stop Valve

其它  
系列



## 型号说明 Model Code

**JZF-- \* F**  
1 2 3

1、产品代号：JZF碟型低压截止阀

Product Code : JZF Dish Type Low-pressure Stop Valve

2、公称口径/Nominal Diameter: 40、60、80、100mm

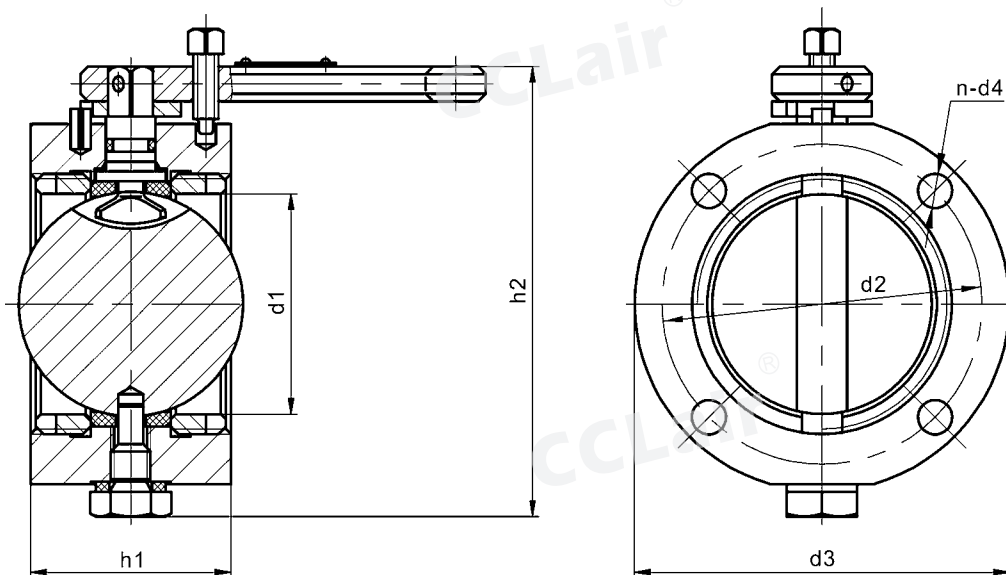
3、连接形式/Joint Model: F-法兰式/Flange type

备注：适用介质/**Applicable Medium**: 液压油 Hydraulic Oil

## 图形符号 Symbol



## 外形尺寸 Overall Dimension



型号 Model	h1	h2	d1	d2	d3	n-d4	两端密封形式 Mode of sealing at two ends
JZF-40F	40	90	φ44	φ64	φ75	4-φ7	两端平面, 无O形圈沟槽 Surface of two ends, without O-ring groove
JZF-40FA	40	90	φ44	φ64	φ75	4-φ7	两端带60×3.1O形圈沟槽 Two ends have 60×3.1 O-ring
JZF-40FB	40	90	φ44	φ70	φ81	4-φ7	两端带56×3.5O形圈沟槽 Two ends have 56×3.5 O-ring
JZF-60F	45	115	φ68	φ92	φ105	4-φ7	两端平面, 无O形圈沟槽 Surface of two ends, without O-ring groove
JZF-80F	50	150	φ91	φ120	φ135	4-φ9	两端平面, 无O形圈沟槽 Surface of two ends, without O-ring groove
JZF-80FD	50	150	φ91	φ135	φ148	6-φ9	两端带106×5.3O形圈沟槽 Two ends have 106×5.3 O-ring
JZF-100F	55	175	φ116	φ148	φ165	4-φ9	两端平面, 无O形圈沟槽 Surface of two ends, without O-ring groove
JZF-100FB	55	175	φ116	φ148	φ165	4-φ9	两端带128×2.65O形圈沟槽 Two ends have 128×2.65 O-ring